

# NEW DACIA DUSTER







**SIMPLY  
RUGGED**



# MORE DUSTER THAN EVER

Nothing can stop it. Now, more than ever, All-New Duster is the authentic SUV. Its iconic style, its assertive design and the new Arizona Orange bodywork colour enhance its adventurous character. The new grille sports the new Y-shaped brand light. The headlights now feature Eco-LED technology\* and increase your safety by illuminating the road with even greater efficiency. The restyled rear spoiler helps reduce

CO<sub>2</sub> emissions while enhancing the bodywork's dynamic appeal. The new 16" or 17" alloy wheels add the touch of getting away from it all, which is exclusive to Duster. Everything you need to set off on a great discovery!

\*LED on dipped headlights.



NEW BRAND LIGHT



RESTYLED FRONT RADIATOR GRILLE

# OVERCOME OBSTACLES

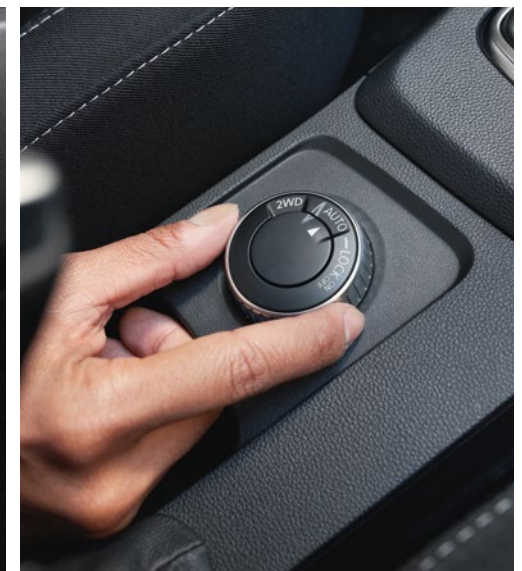
Feel free: All-New Duster takes you wherever you want to go with complete peace of mind. With its robust chassis, high ground clearance and off-road capabilities in the 4-wheel drive version, it makes light work of rough terrain and uneven surfaces. Hill Start Assist allows you to tackle the steepest of slopes; Hill Descent Control\* prevents any skidding by controlling the speed of your SUV. The 4x4 Monitor feature

with built-in compass and altimeter makes sure you always have the right information at the right time. Adjust the knob\*, switch from traction to four-wheel drive and enjoy your adventure playground!

\* on 4x4 versions.



COMPASS AND ALTIMETER



4X4 KNOB



# URBAN ADVENTURER







DUSTER

P

and  
WINE



# CONFIRMED CITY DWELLER

Because adventure begins at the corner of your street, All-New Duster is just as at home in the city. With electrical power-assisted steering, blind spot warning\* and brand new EDC automatic gearbox\*, driving has never been so smooth. And on the engine front, All-New Duster offers a real choice: Diesel, petrol or LPG dual fuel. This Bi-fuel technology – a Dacia exclusive – has the advantage of lower CO<sub>2</sub> emissions, more fuel economy at the pump and an impressive range thanks to the two 50 L fuel tanks. The aerodynamics have also been improved with wheel rims, cowlings and mobile flaps between the grille and the engine that improve its movement through the air. Everything has been redesigned, including automatic activation of the ECO innov LED headlights, an even more energy-efficient technology. The city is also its domain.

\* Available with the TCe 150 engine in 2-wheel drive.



**NEW AUTOMATIC GEARBOX\***

# A FULLY-EQUIPPED PASSENGER COMPARTMENT

Inside, comfort is also on the agenda: the upholstery and headrests have acquired a new look and the sliding central armrest offers additional storage space (almost 1.1 L). On the steering wheel, the backlit buttons are easier to identify. The dashboard accommodates a large 8-inch, semi-flush touch screen, as well as two USB ports. Two multimedia systems are now available to meet all individual needs: Media Display and its intuitive and user-friendly interface features Bluetooth® connectivity, smartphone

mirroring and six speakers. Media Nav, on the other hand, has on-board navigation and wireless smartphone mirroring. Both provide different useful information and are compatible with Android Auto™ and Apple CarPlay™. In the back, passengers have two USB sockets for charging tablets and smartphones. Peace of mind on long journeys!

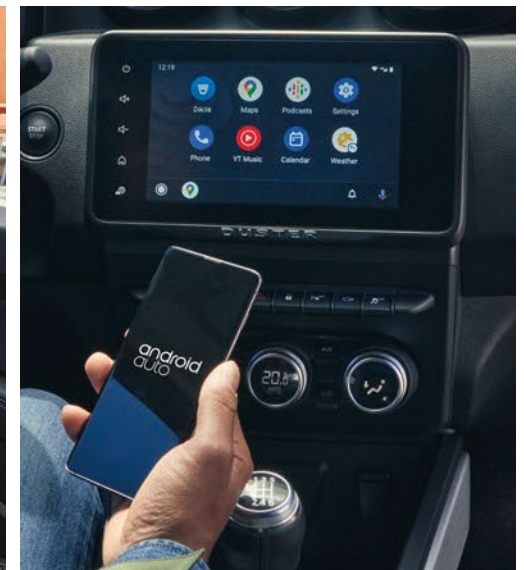
Android Auto™ is a trademark of Google Inc. Apple CarPlay™ is a trademark of Apple Inc.



**HIGH CENTRAL CONSOLE WITH SLIDING ARMREST AND STORAGE**



**NEW UPHOLSTERY AND HEADREST**



**WIRELESS SMARTPHONE MIRRORING**





# BOOT SPACE AND FULL OF IDEAS

You won't believe what you can take with you in All-New Duster. So don't hold back! Luggage, parcels, furniture... your SUV is always ready. The extremely modular layout lets you adapt the passenger compartment to your needs or desires: the loading capacity of the boot, the flexibility in using the interior

space (60/40 split fold rear bench seat, but all of the seats can be folded down) maximise your carrying options. The many storage spaces in the doors and on the backs of the front seats invite you to empty your pockets and enjoy freedom while driving!



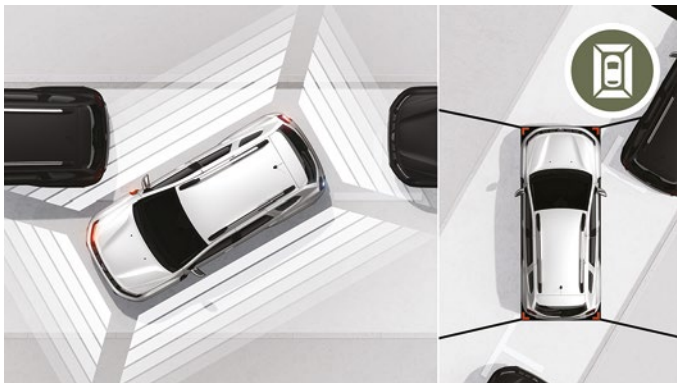
478 LITRES OF BOOT VOLUME



FOLDING REAR BENCH SEAT

# DRIVE IN COMPLETE SAFETY

True adventurers prioritise safety. And All-New Duster is no exception to this rule, offering features that let you drive with complete peace of mind, wherever you choose to go. A reinforced body structure, front and side airbags and the Isofix child seat mounting system make sure that everyone is protected.



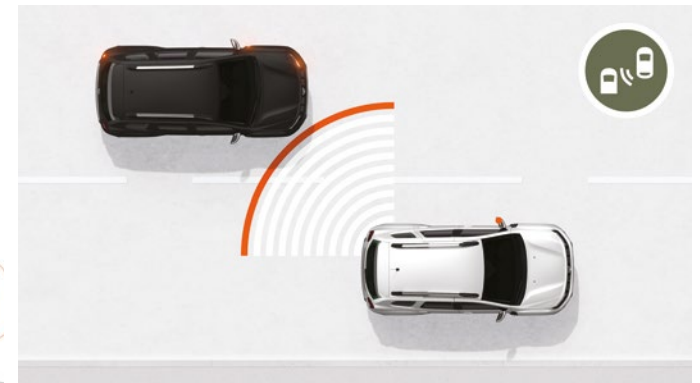
## MULTIVIEW CAMERA

The MultiView Camera gives you more eyes! It provides front, rear and side views, helping you detect holes, rocks or obstacles that are not always easy to see, and making driving easier for you.



## HILL DESCENT CONTROL

Hill Descent Control maintains a slow and constant speed to prevent skidding in the 4x4 version.



## BLIND SPOT WARNING

It's difficult to see everything when you're changing lanes. Four ultrasonic sensors detect moving vehicles in your blind spot and warn you via an LED in the corresponding door mirror (active above 30 km/h).





Hill Start Assist



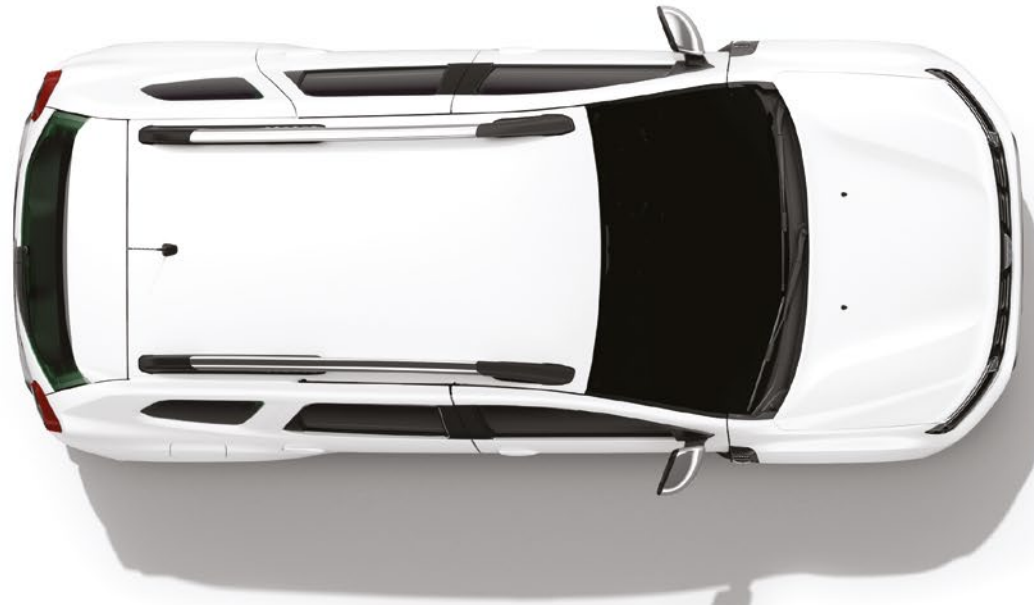
Blind Spot Warning



Cruise Control



Rear Park Assist



ABS + AFU



Rear view Camera



Hill Descent Control



Multiview Camera



Speed Limiter

# DACIA DUSTER COLOURS

---



IRON BLUE<sup>(1)</sup>



FUSION RED<sup>(1)</sup>



ARIZONA ORANGE<sup>(1)</sup>



GLACIER WHITE<sup>(2)</sup>



HIGHLAND GREY<sup>(1)</sup>



SLATE GREY<sup>(1)</sup>



PEARL BLACK<sup>(1)</sup>

<sup>(1)</sup> Metallic paint. <sup>(2)</sup> Opaque paint.

## ESSENTIAL

---



### MAIN ESSENTIAL EQUIPMENT

#### EXTERIOR APPEARANCE

- 16" Steel Wheels
- Black roof bars with "Duster" inscription
- Black Handles and door mirrors
- Tinted Windows
- Body-coloured front and rear bumpers
- New hot-pressed radiator grille
- DACIA Y-shaped LED signature lights
- Rear Spoiler (CO<sub>2</sub> and design)

#### INTERIOR APPEARANCE

- Essential upholstery
- Foam steering wheel
- Charcoal grey door handles and console surround
- Backlighting steering wheel
- Satin chrome air vents

#### DRIVING AND CONTROLS

- Power-assisted steering
- Cruise control and Speed limiter
- Dusk sensors
- Gear shift indicator
- Eco mode

### VISIBILITY

- Manual adjustable door mirrors

### COMFORT

- Manual air conditioning
- Electric front windows
- Manual rear windows
- Heated Rear windows
- Remote central locking
- Adjustable steering wheel and headrests
- 60/40 Split Folding rear seats

### AUDIO

- Dacia Plug & Radio (Radio MP3, USB, Bluetooth, steering wheel controls, DAB)

### ACTIVE AND PASSIVE SAFETY

- ABS (anti-lock braking) and EBA (Emergency Brake Assist)
- Hill start assist
- Driver's front airbag/deactivate front side passenger airbag
- Chest side and head curtain airbags (front and rear)
- ASR (Traction control) with ESC (Electronic Stability Control)
- Child locks in rear doors
- Door open- visual and audible warning
- Isofix points in rear seats
- Tyre inflation kit
- Tyre Pressure Monitor

### OPTIONS

- Emergency spare wheel (except LPG version)
- Metallic paint

## COMFORT



### MAIN COMFORT EQUIPMENT = ESSENTIAL+

#### EXTERIOR APPEARANCE

- 16" Alloy Wheels
- Chrome front grille with hot stamping
- Body coloured handles
- Painted black door mirrors

#### INTERIOR APPEARANCE

- Comfort upholstery
- Soft feel steering wheel (leather)
- Chrome logo surround on steering wheel
- Satin Chrome door handles
- Map pockets on front seatbacks

#### DRIVING AND CONTROLS

- Centre differential lock with selectable <<2WD>>, <<Auto>>, and <<Lock>> modes (4x4 only)

#### VISIBILITY

- Heated and electrically adjustable door mirrors
- Front fog lights

### COMFORT

- Rear electric windows
- Central console with sliding armrest and storage (1.1L)
- Front and rear passenger reading light
- Lumbar seat adjustment

#### AUDIO

- 8" Media Display smartphone replication (2 USB Sockets + 6 speakers)

#### ACTIVE AND PASSIVE SAFETY

- Rear view camera
- Rear parking sensor
- Hill descent Control (4x4 versions only)

#### OPTIONS

- Emergency spare wheel (except LPG version)
- Metallic paint

## PRESTIGE



### MAIN PRESTIGE EQUIPMENT = COMFORT+

#### EXTERIOR APPEARANCE

- 17" Alloy Wheels
- Grey-Quartz Roof bars with "Duster" inscription
- Painted Grey-Quartz Door mirrors
- Dark glass on lateral rear windows

#### INTERIOR APPEARANCE

- Prestige Upholstery
- Satin Chrome Gear level cap insert

#### COMFORT

- Automatic air conditioning
- Heated seats
- Keyless entry
- Acoustic windshield

#### AUDIO

- 8" Media Nav + wireless smartphone replication/Navigation

#### ACTIVE AND PASSIVE SAFETY

- Multiview camera
- Blindspot warning

### OPTIONS

- Emergency spare wheel (except LPG version)
- Metallic paint

# DACIA DUSTER ACCESSORIES

## 1. SIDESTEP

A must-have accessory to enhance the 4x4 style of the vehicle. Allows you to reach the load on your roof comfortably.

## 2. CUSTOMISATION STICKERS

Set of 3 stickers that are perfect for the boot lid, the rear side parts and the door mirror shells, so you can stand out in style.

## 3. SHARK FIN AERIAL

Add an elegant touch with this shark fin aerial, which merges seamlessly into the lines of your vehicle.

## 4. VENT-MOUNTED INDUCTION SMARTPHONE CHARGER

It provides total comfort and simplicity! Ideal for charging your smartphone by induction in your vehicle.

## 5. ILLUMINATED DOOR SILLS AND PREMIUM MATS

The Duster sills with timed white lighting ensure an elegant and modern look as soon as you open the door. Enjoy the premium quality of the 4 mats, which provide full protection for the passenger compartment floor.



1.



2.



3.



4.



5.



**6. BOOT CONTAINER AND BOOT SILL**  
Ideal for transporting dirty items, the boot container provides effective protection for the original carpet. The practical and made-to-measure stainless steel boot sill enhances the bumper and adds a touch of style.

**7. RUBBER FLOOR MATS**  
With raised edges and now including a 5th mat for the rear central section, our rubber mats protect dirt-attracting surfaces inside the vehicle.

**8. PROTECTION FOR LOWER DOORS, FRONT AND REAR WING EXTENDERS (WITH FRONT SENSOR), DOOR EDGES AND DOOR MIRRORS**

Accentuate your All-New Duster's rugged styling while protecting the bottom of its doors and wheel arches. With the flexible protection for door edges and door mirrors, you can forget about paintwork chips and small everyday dents.

**9. ROOF LOCKER ON ROOF BARS**  
Increase your Duster's carrying capacity. The aluminium roof bars meet the highest applicable safety and strength standards.

**10. ARMREST AND CUP HOLDER ORGANISER**  
Improve your comfort and enjoy additional storage space with the fixed armrest on the driver's seat compatible with the half-height console. The cup holder organiser gives you maximum space for keys, coins, cans or bottles.

**11. TOOL-FREE REMOVABLE TOWBAR BICYCLE RACK**  
Quickly, easily and safely take your bikes anywhere using the towbar that can be removed quickly and without tools.

Some accessories require the vehicle to be registered before fitment. Your local dealer will be able to offer further advice and supply a dealer fitted price for vehicles already in dealer stock. Accessories are fitted post production and may have an impact on real world fuel (actual) consumption and CO<sub>2</sub> figures.



# EQUIPMENT AND OPTIONS

	ESSENTIAL	COMFORT	PRESTIGE
<b>EXTERIOR APPEARANCE</b>			
LED brand light	•	•	•
Automatic activation of daytime running lights	•	•	•
Grille with chrome-finish hubcaps	•	•	•
Chrome-finish front / rear skid plates	-	-	•
Exterior door handles	Black	Bodywork tone	Bodywork tone
Black door mirrors	•	-	-
High-gloss black door mirrors	-	•	-
Chrome door mirrors	-	-	•
Black roof bars	•	•	-
Chrome roof bars with Duster branding	-	-	•
Tinted windows (rear, quarter panels, tailgate)	-	-	•
Chrome exhaust tail-pipe	-	-	•
16" Essential steel wheels	•	-	-
16" Comfort alloy wheels	-	•	-
17" Prestige alloy wheels	-	-	•
Metallic paint	o	o	o
<b>SEATS AND INTERIOR TRIMS</b>			
Air vent surrounds	Satin chrome	Satin chrome	Satin chrome
Interior door handles	Black	Chrome	Chrome
Front door pull handles	Black	Black	Black with chrome detailing
1/3- 2/3 split-fold rear bench seatback	•	•	•
Soft feel steering wheel (leather)	-	•	•
Special Essential upholstery	•	-	-
Special Comfort upholstery	-	•	-
Special Prestige upholstery	-	-	•
<b>ACTIVE AND PASSIVE SAFETY</b>			
ABS (Anti-lock Braking System) + EBA (Emergency Brake Assist)	•	•	•
Electronic Stability Control (ESC) <sup>(1)</sup> with Hill Start Assist (HSA)	•	•	•
Driver's front airbag	•	•	•
Passenger's front airbag, disconnectable	•	•	•
Shoulder and curtain side airbags	•	•	•
Front and rear seat belts with pyrotechnic pretensioner	•	•	•
Tyre pressure detection	•	•	•
3rd 3-point rear seat belt (inertia reel)	•	•	•
Blind spot warning	-	-	•
Spare wheel (except Bi-fuel version)	o	o	o
Tyre inflation kit	•	•	•
Isofix child seat mounting system on rear side seats	•	•	•
<b>DRIVING AND CONTROL INSTRUMENTS</b>			
Electrical power-assisted steering	•	•	•
On-board computer with 11 functions (LCD screen): overall totaliser, partial totaliser, fuel used, average fuel consumption, predicted driving range, average speed, service/oil change intervals, gear change indicator, exterior temperature, clock and fuel gauge	•	-	-
On-board computer with 13 functions (TFT screen): overall totaliser, partial totaliser, fuel used, average fuel consumption, predicted driving range, average speed, service/oil change intervals, gear change indicator, driving speed, language settings, door open warning light, clock, exterior temperature <sup>(1)</sup>	• (if automatic gearbox or Bi-fuel)	-	•
Visual and audible front seat belt warning	•	•	•



	ESSENTIAL	COMFORT	PRESTIGE
<b>DRIVING AND CONTROL INSTRUMENTS</b>			
Eco Mode (Euro 6) + Stop & Start + gear change indicator	•	•	•
Hill Descent Control system (only on 4x4)	•	•	•
Cruise control and speed limiter	•	•	•
Rear parking sensors	-	•	•
Rear view camera	-	•	-
MultiView camera	-	-	•
<b>VISIBILITY</b>			
Front fog lights	-	•	•
Heated rear screen	•	•	•
Door mirrors with interior manual adjustment	•	-	-
Heated electric door mirrors	-	•	•
<b>COMFORT</b>			
Manual heating and air conditioning system	•	•	-
Automatic heating and air conditioning system	-	-	•
Electric door locking with radio frequency remote	•	•	•
Keyless entry	-	-	•
Electric front windows	•	•	•
Electric rear windows	-	•	•
Steering wheel adjustable for height and reach	•	•	•
Height-adjustable driver's seat	-	•	•
Height-adjustable driver's seat with lumbar adjustment and armrest	-	•	•
Half-height centre console with armrest and storage, and 2 USB ports at the rear	-	•	•
Driver's front reading light with 20-second timer	•	-	-
2 front reading lights (driver's with 20-second timer and passenger)	-	•	•
1 reading light for rear passengers	-	-	•
12 V sockets front/rear	•	•	•
Glovebox lighting	-	•	•
Boot lighting	•	•	•
Heated front seats	-	-	•
<b>AUDIO</b>			
Plug & Music: radio MP3, USB and jack ports, Bluetooth® telephone with steering wheel controls	•	-	-
8" Media Display: DAB radio, smartphone mirroring via USB cable, Bluetooth® connection, 6 speakers, 8" touchscreen	-	•	-
8" Media NAV: navigation, DAB radio, Wi-Fi smartphone mirroring, Bluetooth® connection, 6 speakers (4 speakers + 2 tweeter speakers), 8" touchscreen	-	-	•

• : available as standard; o : available as an option; - : not available.

(1) Disconnectable only on 4x4 versions.

# DACIA DUSTER PRICING

	EURO STATUS	HP	CO <sub>2</sub> G/KM WLTP	VED YEAR 1	COMBINED FUEL CONSUMPTION (MPG) - WLTP	FUEL TYPE	BENEFIT IN KIND	INSURANCE GROUP	BASIC PRICE	VAT 20%	TOTAL RETAIL PRICE	ON THE ROAD PRICE*	
<b>DACIA DUSTER</b>													
<b>Essential</b>	TCe 90 4x2	6	90	140	220	45.6 (6.2)	Petrol	31%	13E	£11,187.50	2237.50	£13,425.00	£14,295
	TCe 100 Bi-Fuel 4x2	6	100	144 (Petrol)/126(LPG)	210	44.1 (6.4) / 40.9 (6.9)	Petrol/LPG	36%	14E	£11,195.83	2239.17	£13,435.00	£14,295
<b>Comfort</b>	TCe 90 4x2	6	90	140	220	45.6 (6.2)	Petrol	31%	11E	£12,437.50	2487.50	£14,925.00	£15,795
	TCe 100 Bi-Fuel 4x2	6	100	145 (Petrol)/127(LPG)	210	44.1 (6.4) / 40.4 (7)	Petrol/LPG	36%	14E	£12,445.83	2489.17	£14,935.00	£15,795
	TCe 130 4x2	6	130	141	220	45.6 (6.2)	Petrol	31%	11E	£13,562.50	2712.50	£16,275.00	£17,145
	TCe 150 4x2 EDC	6	150	142	220	44.8 (6.3)	Petrol	31%	14E	£15,229.17	3045.83	£18,275.00	£19,145
	Blue dCi 115 4x2	6	115	127	180	57.6 (4.9)	Diesel	32%	14E	£14,012.50	2802.50	£16,815.00	£17,645
	Blue dCi 115 4x4	6	115	139	220	53.3 (5.3)	Diesel	34%	15E	£15,895.83	3179.17	£19,075.00	£19,945
	TCe 90 4x2	6	90	140	220	45.6 (6.2)	Petrol	31%	12E	£13,437.50	2687.50	£16,125.00	£16,995
<b>Prestige</b>	TCe 100 Bi-Fuel 4X2	6	100	145 (Petrol)/127(LPG)	210	44.1 (6.4) / 40.4 (7)	Petrol/LPG	36%	11E	£13,445.83	2689.17	£16,135.00	£16,995
	TCe 130 4x2	6	130	141	220	45.6 (6.2)	Petrol	31%	14E	£14,562.50	2912.50	£17,475.00	£18,345
	TCe 150 4x2 EDC	6	150	142	220	44.8 (6.3)	Petrol	31%	13E	£16,229.17	3245.83	£19,475.00	£20,345
	Blue dCi 115 4x2	6	115	127	180	57.6 (4.9)	Diesel	32%	13E	£15,012.50	3002.50	£18,015.00	£18,845
	Blue dCi 115 4x4	6	115	139	220	53.3 (5.3)	Diesel	34%	14E	£16,895.83	3379.17	£20,275.00	£21,145

\*"On the Road" price includes delivery to the dealer premises, number plates, 12 months government road fund license (depending on CO<sub>2</sub> emissions) and First Registration Fee at £55.

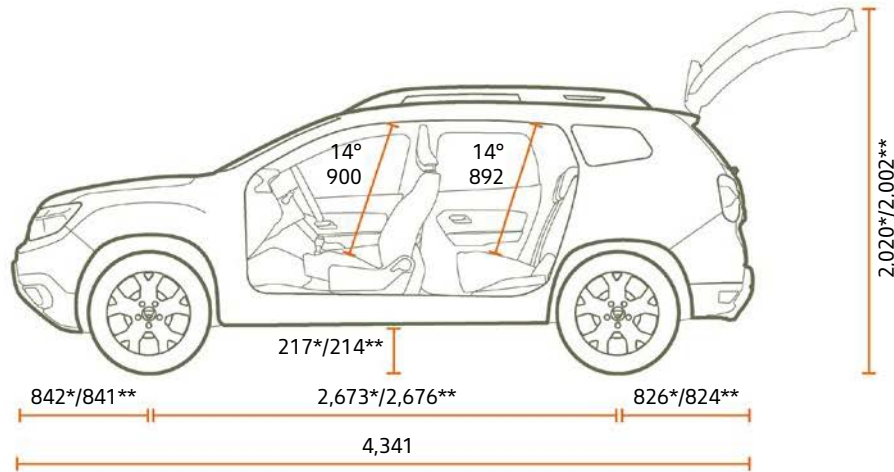
## OPTIONS

OPTION	ESSENTIAL	COMFORT	PRESTIGE	BASIC PRICE	VAT 20%	TOTAL RETAIL PRICE
Metallic paint	○	○	○	£495.83	£99.17	£595
Spare Wheel (Excluding Bi-Fuel)	○	○	○	£208.33	£41.67	£250

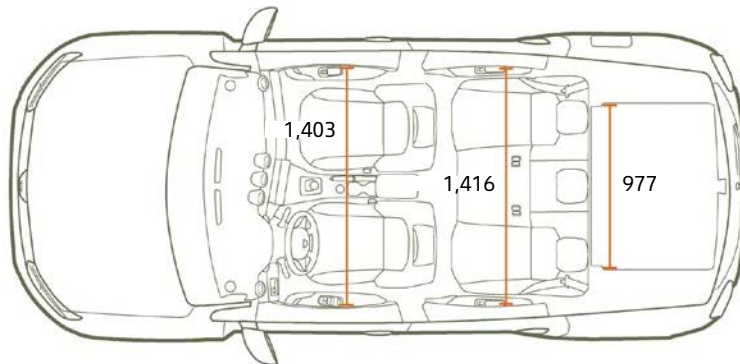
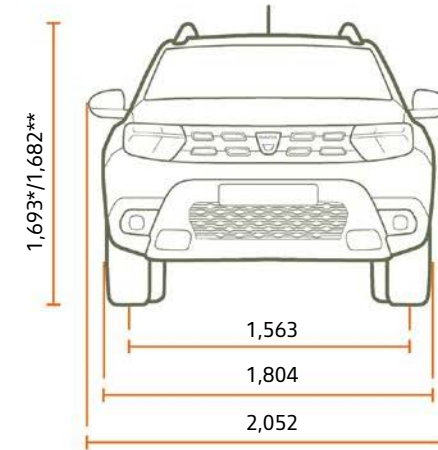
# DACIA DUSTER

## DIMENSIONS

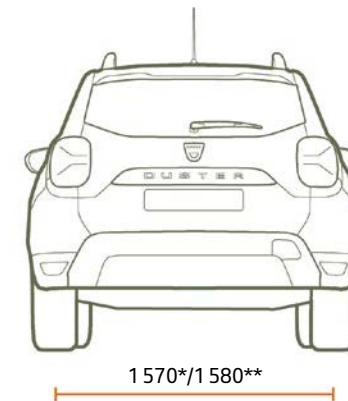
### PROFILE VIEW



### FRONT VIEW



### REAR VIEW



### BOOT (L)

Min. boot volume under luggage space cover with spare wheel (4x2/4x4)	478/414
Max. boot volume with rear bench seat folded down with spare wheel (4x2/4x4)	1,623/1,559

Dimension in mm. \*Version 4x2. \*\*Version 4x4

# DACIA DUSTER

## WE'VE GOT YOU COVERED

You might think our shockingly affordable prices mean our cars aren't made to last. Actually, the Dacia range is one tough cookie. To prove it, you get a 3-year\* warranty (or 60,000 miles, if you reach that first). This means we will replace any part which has been deemed by a Dacia approved dealer to be defective due to a manufacturing fault, free of charge. To keep the good times rolling, you can extend your warranty up to 7 years for a great price. We also give you a 2-year paintwork and 6-year anti-corrosion warranty, so you can kick back knowing that your Dacia will stay looking good-as-new for years to come.

### ROADSIDE ASSISTANCE

Although our cars are built for plain sailing, you can rely on us if you have a breakdown – 24/7 365, wherever you are in the UK or Northern Ireland. This offer also stands for the first 3 years/60,000 miles $\Delta$  after you buy your new Dacia.

### DACIA CAR INSURANCE 1

Dacia Insurance has been specifically created to provide superb protection for you and your car. Unlike most other UK insurers, in the event of an accident, your Dacia will be repaired at a Dacia Approved Bodyshop using only Dacia approved parts and approved repair methods. This maintains your Dacia's safety rating, protects its resale value and helps to maintain its Dacia warranty $\Delta$ . Dacia Insurance also offers a courtesy car for the duration of a repair at a Dacia Approved Bodyshop.

**Dacia car insurance: 0330 102 7795 [www.daciacarinsurance.co.uk](http://www.daciacarinsurance.co.uk)**

Lines are open Mon - Thurs 8.30am - 7pm, Fri 9am - 6pm, Sat 9am - 5pm

### SERVICING

Dacia Service Plans are the ultimate hassle free way to take care of your vehicle. Depending on the Service plan you purchase (see opposite grid) your servicing needs are covered and you benefit from;

- Inflation Proof Servicing – You know exactly what you'll pay and there are no hidden costs
- Peace of Mind – No matter where life takes you, we'll be there in over 5000 workshops across Europe
- Dacia Expertise & Quality – Our highly trained technicians know your Dacia inside out

The Dacia Service Plan contains Dacia services in-line with the manufacturer's service schedule, plus comes with a complimentary vehicle health check to ensure your Dacia is in the best condition possible.

Service plan <sup>^</sup>	Cash Price	Monthly payments with Dacia Finance**	Extended warranty	Total Retail Price
3 years / 30,000 miles Service Plan	£399	£9.99 per month	4 years / 60,000 miles <sup>†</sup>	£150
4 years / 40,000 miles Service Plan	£699	£11.99 per month	5 years / 60,000 miles <sup>†</sup>	£275
			6 years / 60,000 miles <sup>†</sup>	£400
			4 years / 100,000 miles <sup>†</sup>	£400
			5 years / 100,000 miles <sup>†</sup>	£525
			6 years / 100,000 miles <sup>†</sup>	£650
<b>Servicing<sup>^</sup> + Extended Warranty Plan</b>				
4 years / 60,000 miles	£999	£17.99 per month		

Dacia Extended warranty ends when you reach the age or mileage limit (whichever comes first). For full Warranty Terms and Conditions visit [www.dacia.co.uk/warranty-and-assistance/assistance](http://www.dacia.co.uk/warranty-and-assistance/assistance)

### Service Intervals<sup>o</sup>

Annual servicing **OR** servicing at 18,000 miles (whichever comes first)

Service Schedule <sup>o</sup>	Year 1	Year 2	Year 3	Year 4	Year 5	Year 6
	Cabin filter change	Oil change + Cabin filter change	Cabin filter change + Brake fluid change	Oil change + Cabin filter change + Brake fluid change	Cabin filter change + Coolant 150km change	Cabin filter change + Belts 150km change

\*Dacia warranty ends when you reach the age or mileage limit (whichever comes first). Subject to status, terms and conditions apply. For full Dacia Extended Warranty Terms and Conditions visit [www.dacia.co.uk/warranty-and-assistance/warranty](http://www.dacia.co.uk/warranty-and-assistance/warranty)

<sup>^</sup>Roadside assistance for the first 3 year / 60,000 miles, which ever is reached first. For full Terms and Conditions visit [www.dacia.co.uk/warranty-and-assistance/assistance](http://www.dacia.co.uk/warranty-and-assistance/assistance)

<sup>†</sup> Dacia Extended warranties are available to purchase from first date of registration up to end of manufacturer warranty. For full Dacia Extended Warranty Terms and Conditions visit [www.dacia.co.uk/warranty-and-assistance/warranty](http://www.dacia.co.uk/warranty-and-assistance/warranty)

The monthly service plan offer is available at point of signing agreement for vehicle purchased under HP and PCP finance agreement provided by Dacia Finance Ltd. (Not available on cash purchases).

<sup>o</sup> The Service plan offer is available for eligible retail vehicles only and valid at participating dealers only. Vehicles must be ordered between 01 December 2021 and 31 March 2022 and registered by 30 June 2022. The Dacia Service plan covers the manufacturer's minimum maintenance programme requirements for the term of the Service plan purchased (refer to the Warranty and Service sheet in the Handover Document wallet for details). The plan ends when you reach the age or mileage limit (whichever comes first). Services must be carried out in line with the manufacturer's minimum maintenance programme requirements and servicing intervals within +/- 1 month or 1,000 miles of the service interval and can only be carried out at a Dacia Approved outlet. Service plans do not cover wear and tear items such as (but not limited to) tyres, wiper blades or brakes. For Service plan full Terms & Conditions visit [www.dacia.co.uk/services-and-finance/service-plan](http://www.dacia.co.uk/services-and-finance/service-plan). Cannot be part exchanged, refunded or transferred.

<sup>o</sup> The service schedule and intervals are subject to the registration number. Ask your local dealer to confirm your service schedule / intervals as the above is a guideline.

\*\*36 or 48 monthly payments options are only available at point of signing a finance agreement provided by Dacia Finance, Rivers Office Park, Denham Way, Rickmansworth, WD3 9YS. Guarantees and indemnities may be required. You must be a UK resident (excluding the Channel Islands) and over 18 to apply for finance. Terms and conditions apply.

<sup>1</sup> Dacia Insurance is arranged and administered by Verex Insurance Services Ltd, which is registered in England and Wales No. 05686831 at Batchworth House, Church Street, Rickmansworth, Herts, WD3 1JE and authorised and regulated by the Financial Conduct Authority, No. 487185. Verex Insurance Services Ltd arranges policies from a panel of insurers, details are available on request.

<sup>Δ</sup> If your insurer uses non-approved parts which subsequently fail, they may not be covered under your manufacturer's warranty.

# DRIVE, TRAVEL, ENJOY, NOW THAT'S THE DACIA SPIRIT!

At Dacia, we produce practical, reliable vehicles that offer the best value for money. Models with assertive style but no frills, fitted with the most reliable, tried-and-tested technologies... all at an unbeatable price. In fifteen years, we have changed the rules of the game and disrupted the car market. Unbelievable? Not really. Our secret? A perfect blend of simplicity, transparency and accessibility. From the choice of model to price and maintenance, everything is clear and obvious with Dacia.

Driving Dacia means being sure you've made the right choice. It means choosing quality, reliability, design, comfort and, above all, a fair price. It means being able to buy a new vehicle that meets your needs. Finally, driving a Dacia means no longer putting all of your money into your vehicle – you can still go on holidays, give your daughter the guitar of her dreams, or simply save up.



A desert landscape featuring a large, prominent rock formation in the center. The rock is reddish-brown and has a jagged, layered appearance. In the foreground, a dark asphalt road with a white line runs across the bottom of the frame. The background shows more rugged, rocky terrain under a cloudy sky. The overall scene is arid and rugged.

# THE AUTHENTIC SUV



Every precaution has been taken to ensure this publication is accurate and up to date when printed. This document has been created using pre-production and prototype models. In line with its policy of continuous product improvement, Dacia reserves the right to modify the specifications, vehicles and accessories described and featured at any time. Any such modifications are communicated to Dacia dealers as quickly as possible. Depending on the country of sale, versions may differ and certain equipment may be unavailable (as standard, optional or as an accessory). Please consult your Dacia brand representative for the latest information. For technical printing reasons, the colours featured in this document may differ slightly from those of the actual paintwork or interior trim. All rights reserved. Reproduction in any format and by any means of all or part of this publication is prohibited without prior written authorisation from Dacia.

PUBLICIS - PHOTO CREDITS : MARC & DAVID, H. PICARD, TWIN GROUP, © RENAULT MARKETING 3D-COMMERCE - DECEMBER 2021

Dacia recommends 